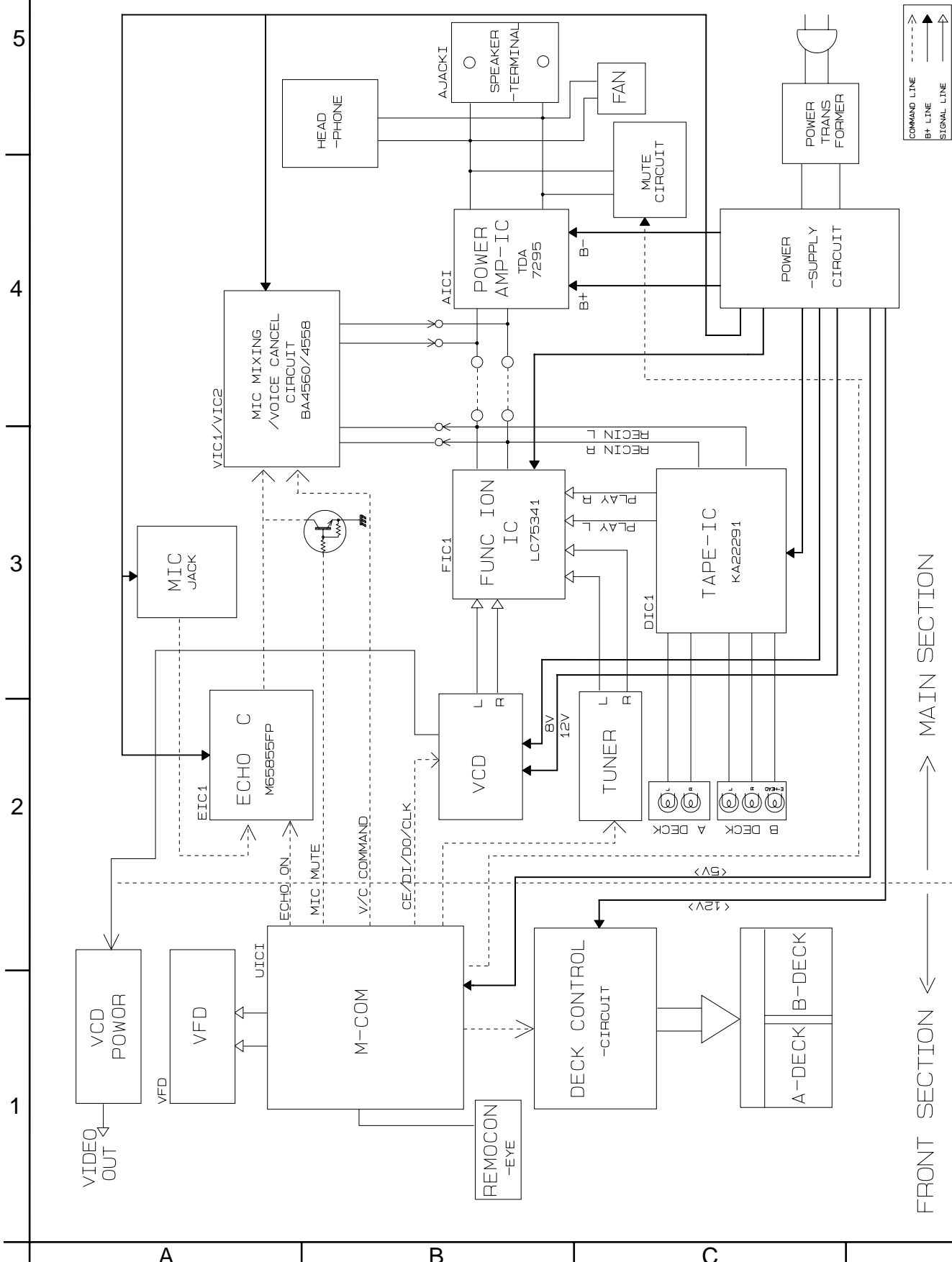
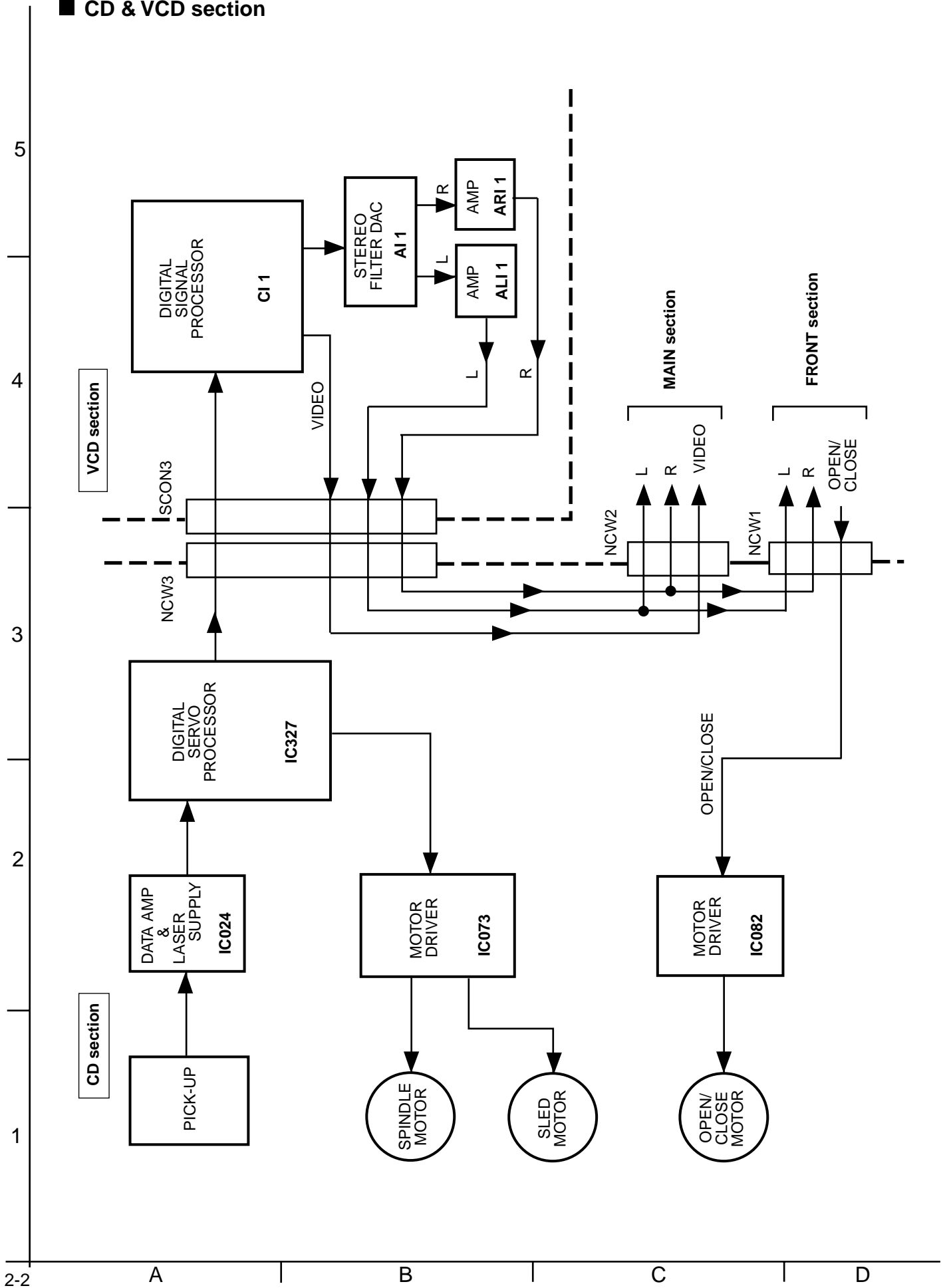


# Block diagrams

■ Main section



■ CD & VCD section



# Standard schematic diagrams

## Front section

### FRONT/VCD-POWER CIRCUIT

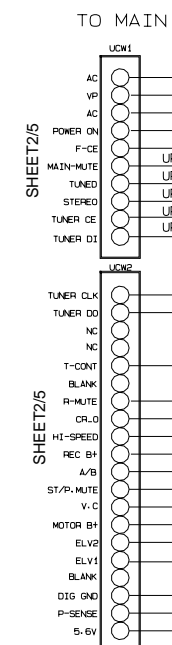
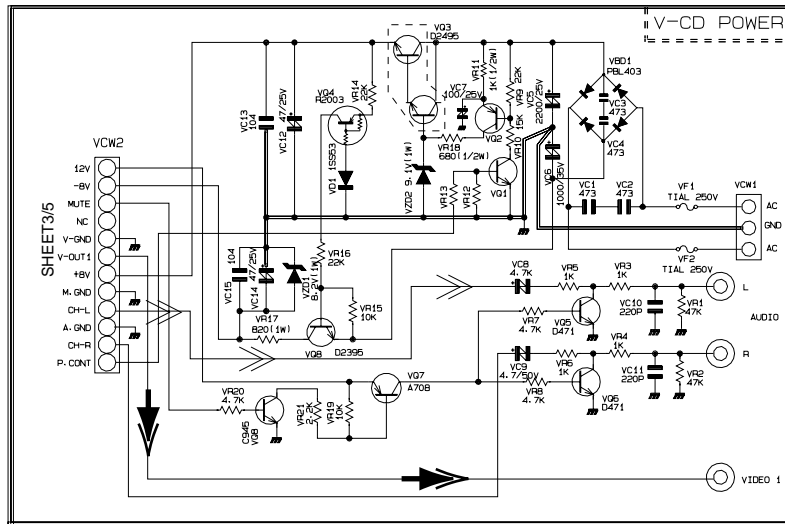
5

4

3

2

1



Main section

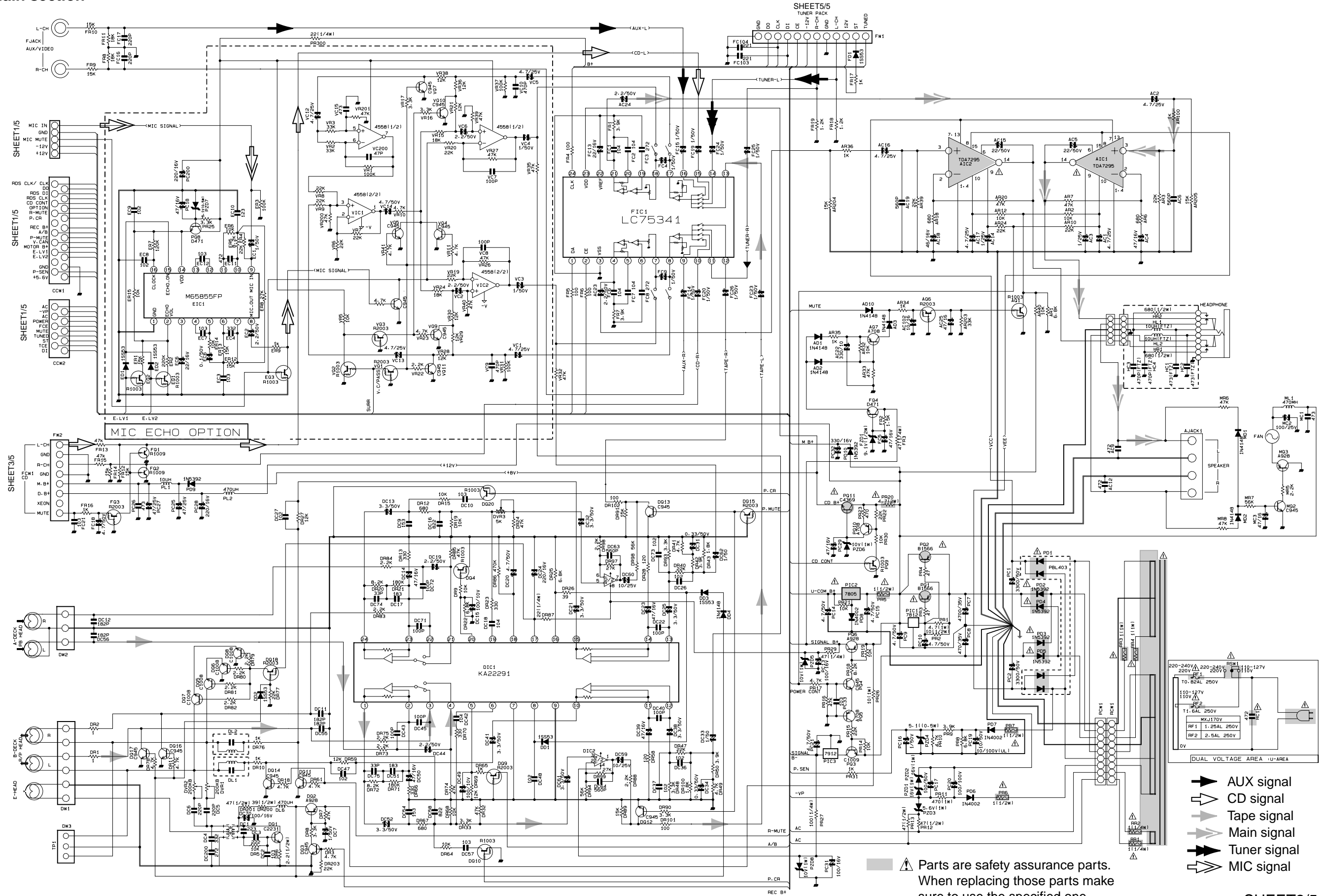
5

4

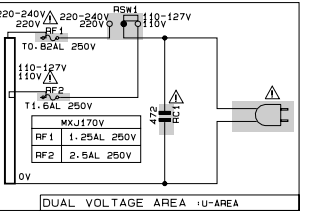
3

2

1



SHEETS/5  
TUNER PACK

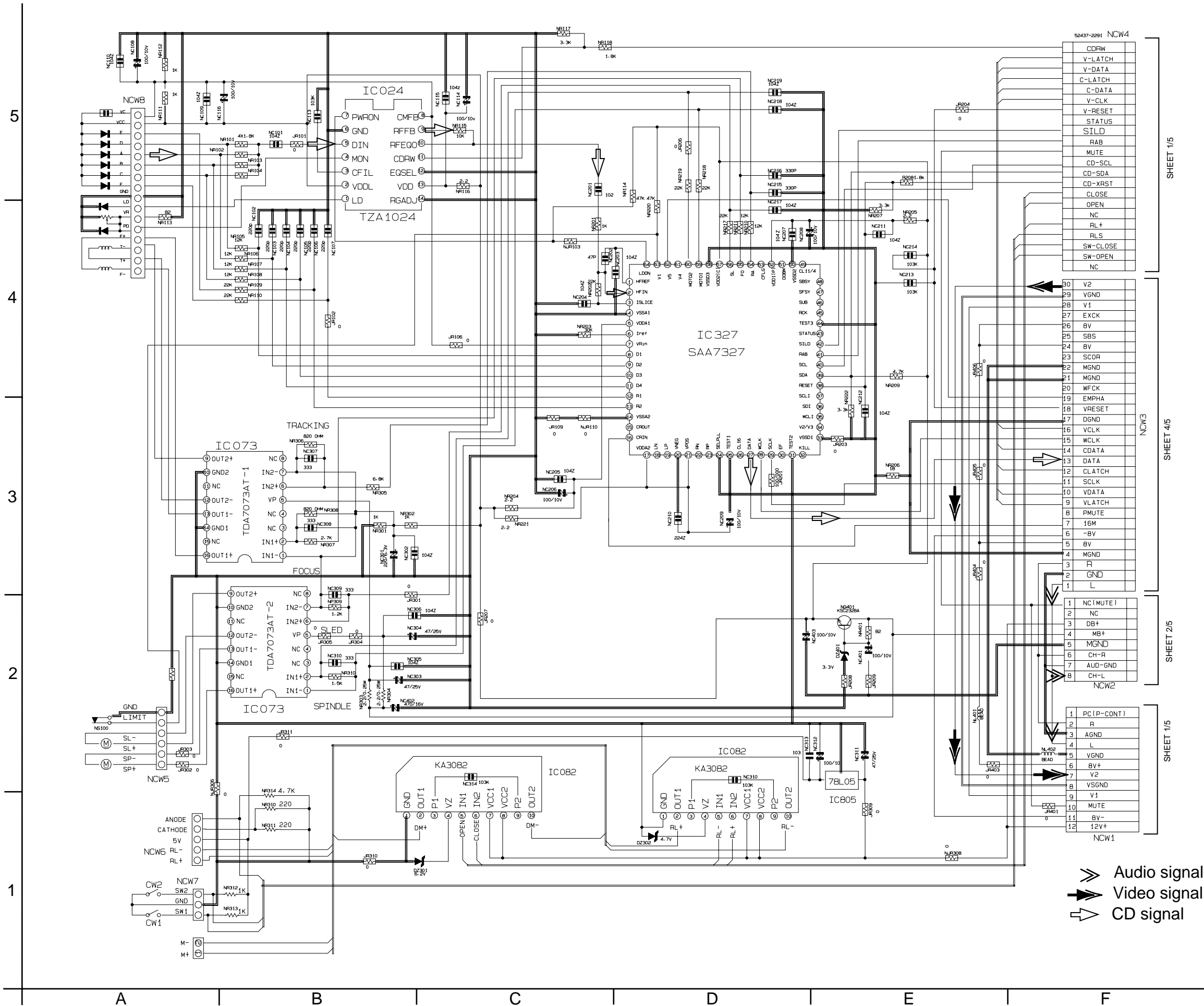


- ➔ AUX signal
- ➔ CD signal
- ➔ Tape signal
- ➔ Main signal
- ➔ Tuner signal
- ➔ MIC signal

⚠ Parts are safety assurance parts.  
 When replacing those parts make  
 sure to use the specified one.

A B C 2-4 D E F G H

■ CD servo section



≫≫ Audio signal  
 ≫ Video signal  
 ≫ CD signal

VCD section

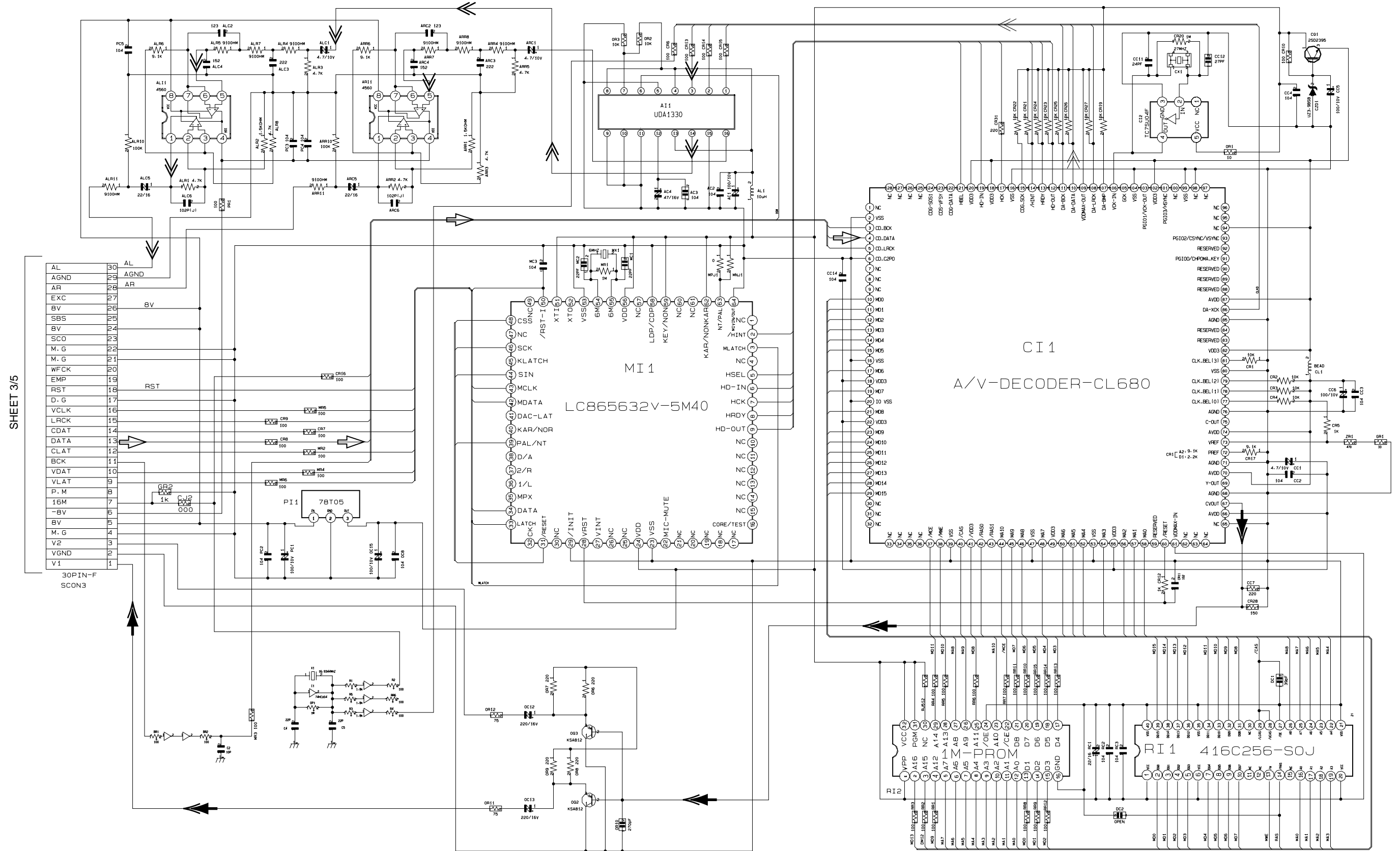
5

4

3

2

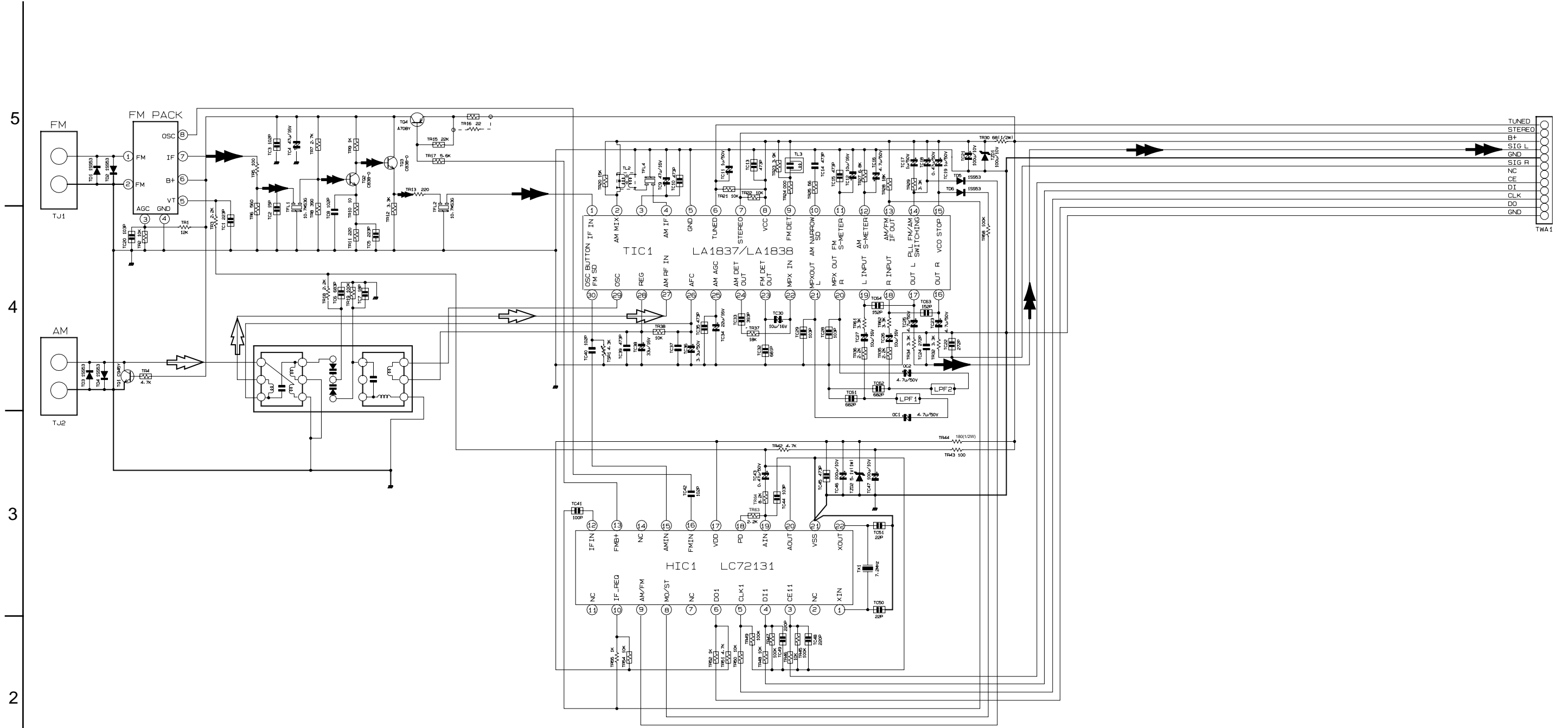
1


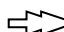


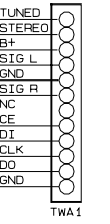
SHEET 3/5



■ Tuner section

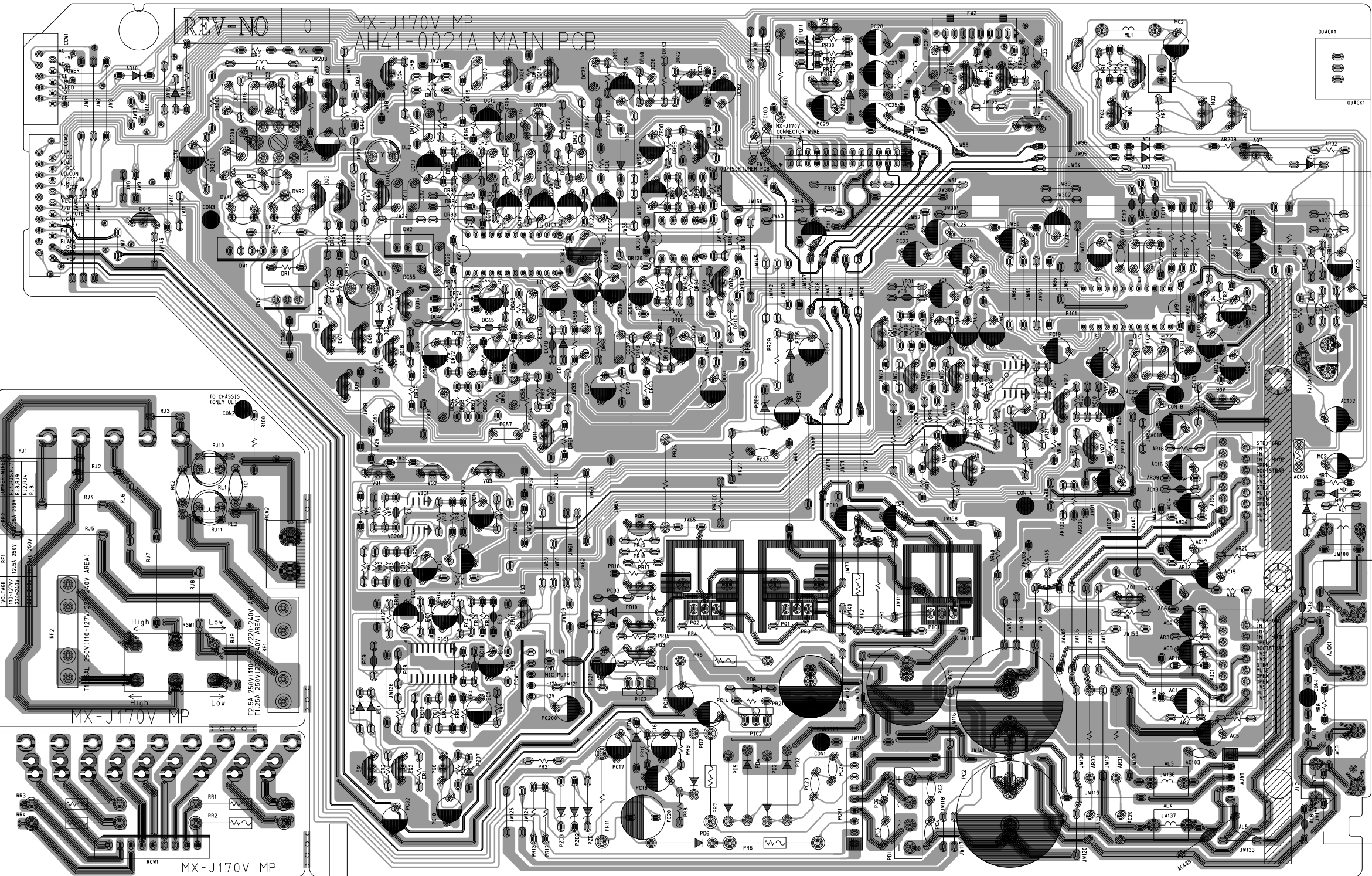


 FM/TUNER signal  
 AM signal



# Printed circuit boards

## ■ Main board



\*\*\* DIODE \*\*\*

- AD1 (J5)
- AD10 (B6)
- AD2 (J5)
- AD3 (K5)
- DD1 (E4)
- DD2 (D4)
- DD3 (F5)
- DD4 (D6)
- ED1 (D1)
- ED2 (D1)
- FD1 (B6)
- FZD1 (J4)
- MD1 (K2)
- MD2 (K2)
- PD10 (E1)
- PD2 (G0)
- PD3 (G0)
- PD4 (F0)
- PD5 (F0)
- PD6 (F0)
- PD7 (F0)
- PD8 (G1)
- PD9 (H5)
- PZD1 (E0)
- PZD2 (E0)
- PZD3 (E0)
- PZD4 (F1)
- PZD5 (G4)
- PZD6 (G6)
- PZD7 (D0)
- PZD8 (G3)

\*\*\* IC&WAFER \*\*\*

- AJW1 (J0)
- DW1 (C4)
- DW2 (D4)
- ECW1 (E1)
- FW1 (G5)
- FW2 (H6)
- FW7 (G5)
- MCW1 (J6)
- PCW1 (G0)
- RCW1 (B0)

5

4

3

2

1

A

B

C

2-8

D

E

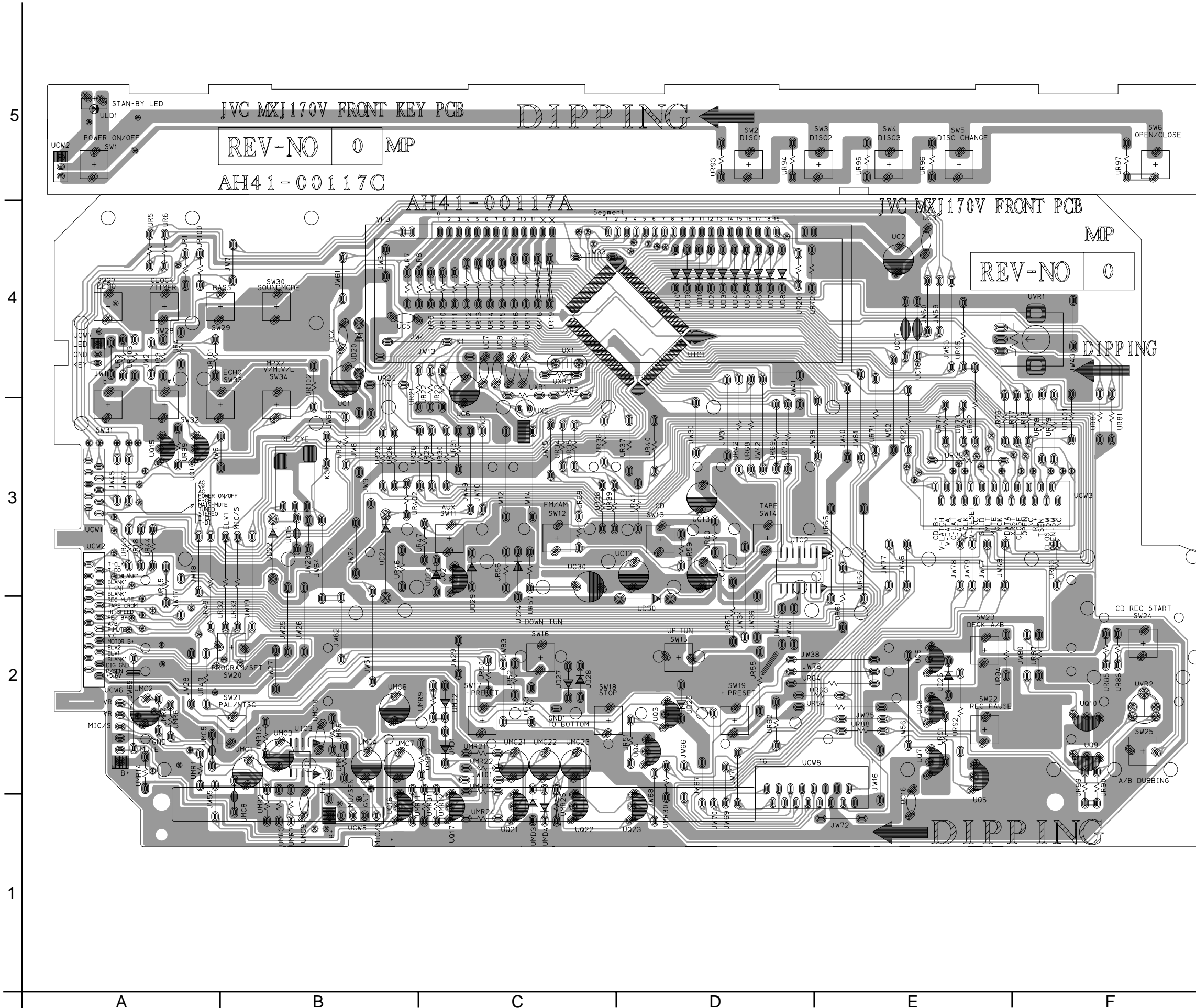
F

G

H



■ Front board



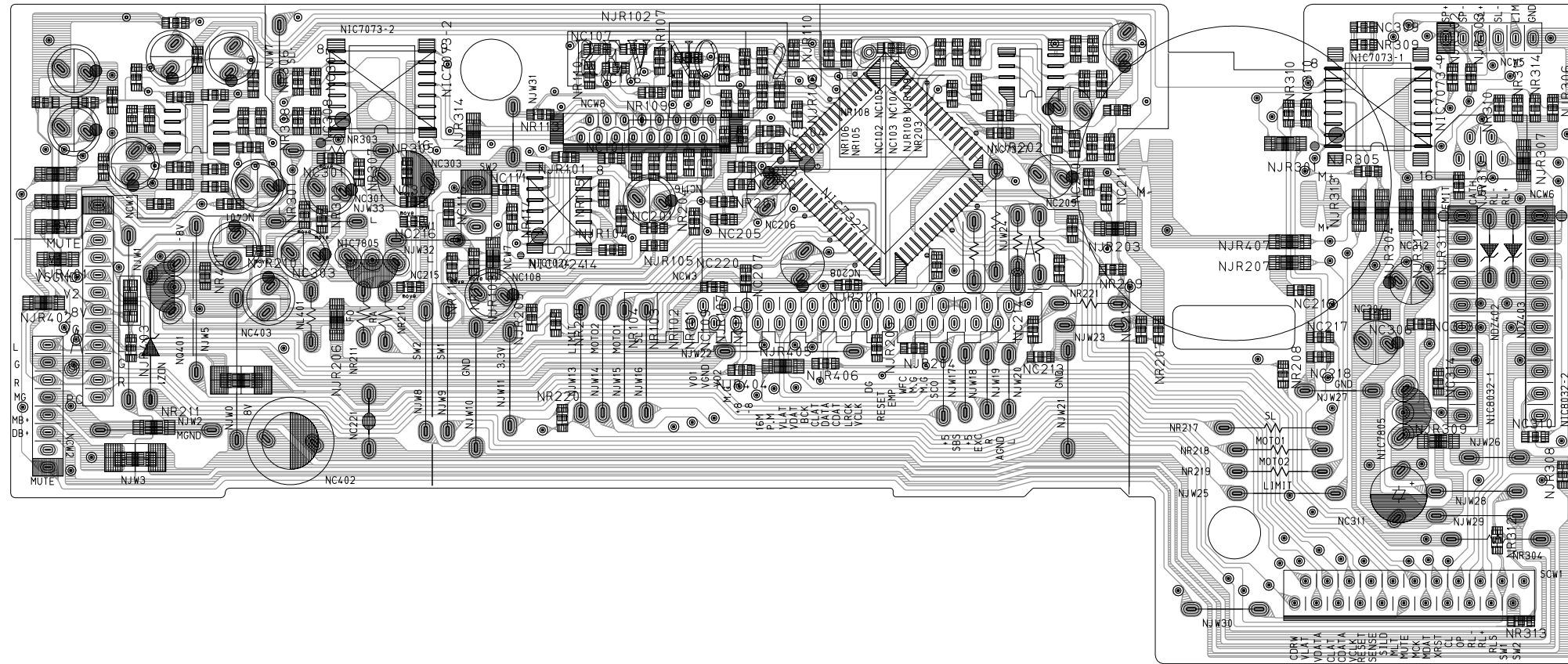
\*\*\* DIODE \*\*\*      \*\*\* IC&WAFER \*\*\*

- UD1 (E3)
- UD10 (E3)
- UD2 (E3)
- UD20 (C3)
- UD21 (C2)
- UD22 (B2)
- UD23 (C2)
- UD24 (D2)
- UD25 (E0)
- UD26 (G1)
- UD27 (D1)
- UD28 (D1)
- UD29 (D2)
- UD3 (E3)
- UD30 (E1)
- UD4 (E3)
- UD5 (E3)
- UD6 (F3)
- UD7 (F3)
- UD8 (F3)
- UD9 (E3)
- UMD1 (C0)
- UMD2 (C0)
- UMD3 (D0)
- UMD4 (D0)
- EIC2 (B0)
- SW1 (A4)
- SW11 (C2)
- SW12 (D2)
- SW13 (E2)
- SW14 (F2)
- SW15 (E1)
- SW16 (D1)
- SW17 (D0)
- SW18 (E0)
- SW19 (E0)
- SW2 (F4)
- SW20 (B1)
- SW21 (B0)
- SW22 (G0)
- SW23 (G1)
- SW24 (H1)
- SW25 (H0)
- SW27 (A3)
- SW28 (A3)
- SW29 (B3)
- SW3 (F4)
- SW30 (B3)
- SW31 (A3)
- SW32 (A3)
- SW33 (B3)
- SW34 (B3)

\*\*\* TR \*\*\*

- UQ1 (B2)
- UQ10 (H0)
- UQ15 (A2)
- UQ16 (C0)
- UQ17 (C0)
- UQ2 (C1)
- UQ21 (D0)
- UQ22 (D0)
- UQ23 (E0)
- UQ3 (E1)
- UQ4 (E0)
- UQ5 (G0)
- UQ6 (G1)
- UQ7 (G0)
- UQ8 (G1)
- UQ9 (H0)
- UCW5 (A0)
- UCW6 (A0)
- UCW7 (A3)
- UIC1 (E3)

■ CD servo board



\*\*\* RESISTOR \*\*\*      \*\*\* DIODE \*\*\*

- NJW24 (D1)
- NL401 (B1)
- NR217 (E1)
- NR218 (E0)
- NR219 (E0)
- NR221 (D1)
- NR303 (B2)
- NR304 (F0)

- NDZ1 (A1)
- NDZ402 (F1)
- NDZ403 (F1)

\*\*\* TR \*\*\*

- IC805 (F1)
- IC805 (B1)
- NQ401 (A1)

\*\*\* CONDENSER \*\*\*

- NC108 (B1)
- NC116 (C1)
- NC206 (C1)
- NC208 (C1)
- NC209 (D2)
- NC221 (B0)
- NC301 (B1)
- NC303 (B2)
- NC303 (B1)
- NC304 (F1)
- NC311 (F0)
- NC312 (F1)
- NC401 (A1)
- NC402 (A1)
- NC403 (A1)

\*\*\* IC&WAFER \*\*\*

- NCW5 (F2)
- NCW7 (B1)

■ MIC / Headphone board

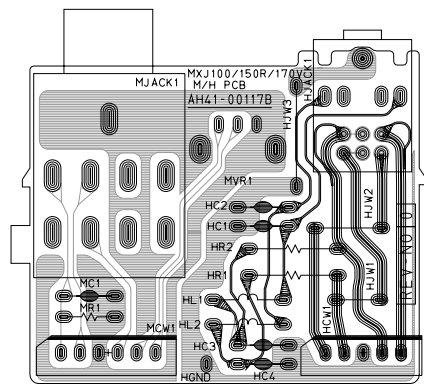
\*\*\* RESISTOR \*\*\*      \*\*\* IC&WAFER \*\*\*

- HR1 (A0)
- HR2 (A0)
- MR1 (A0)

- HCW1 (B0)
- MCW1 (A0)

\*\*\* CONDENSER \*\*\*

- HC1 (A0)
- HC2 (A0)
- HC3 (A0)
- HC4 (A0)
- MC1 (A0)



5

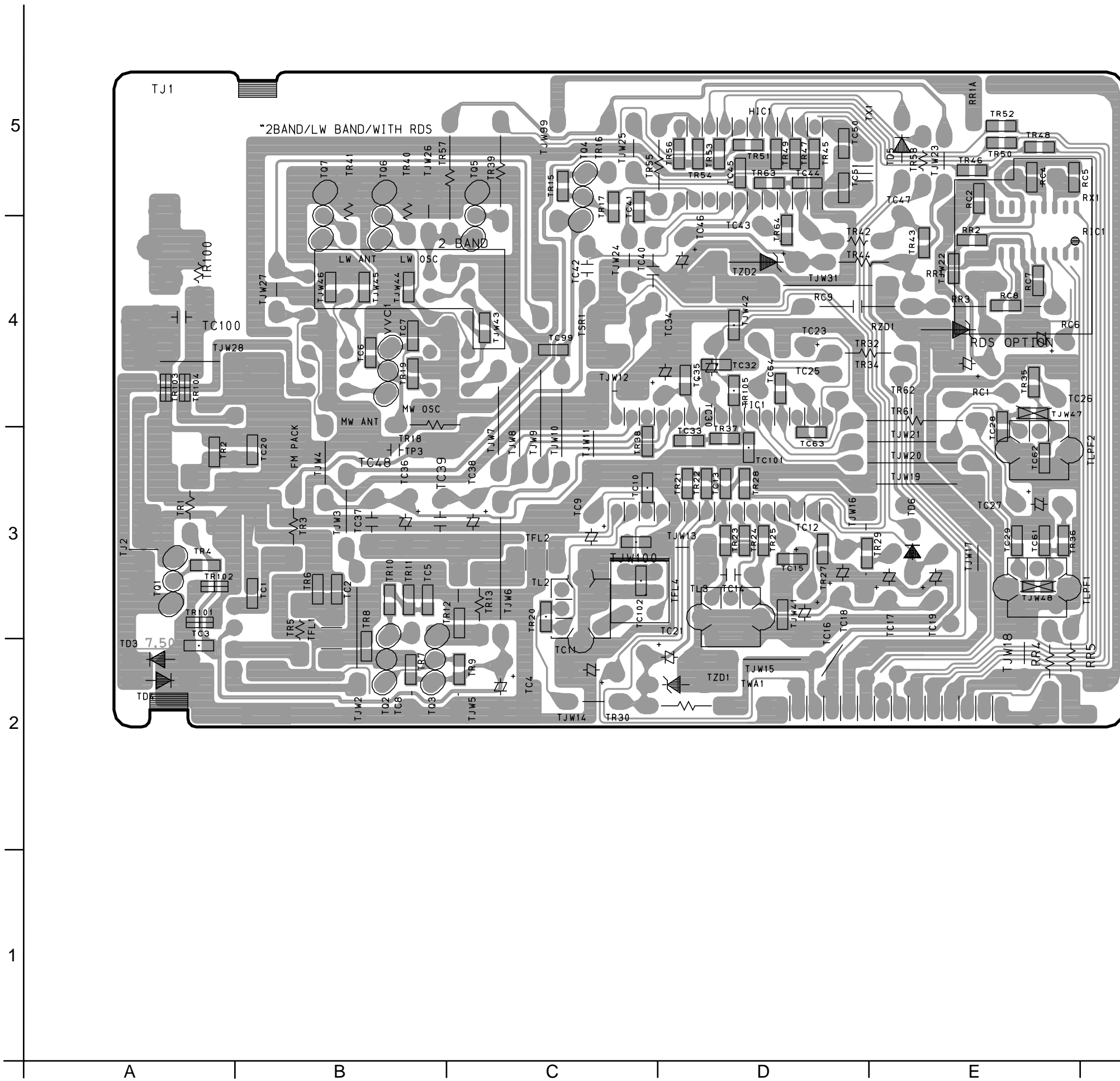
4

3

2

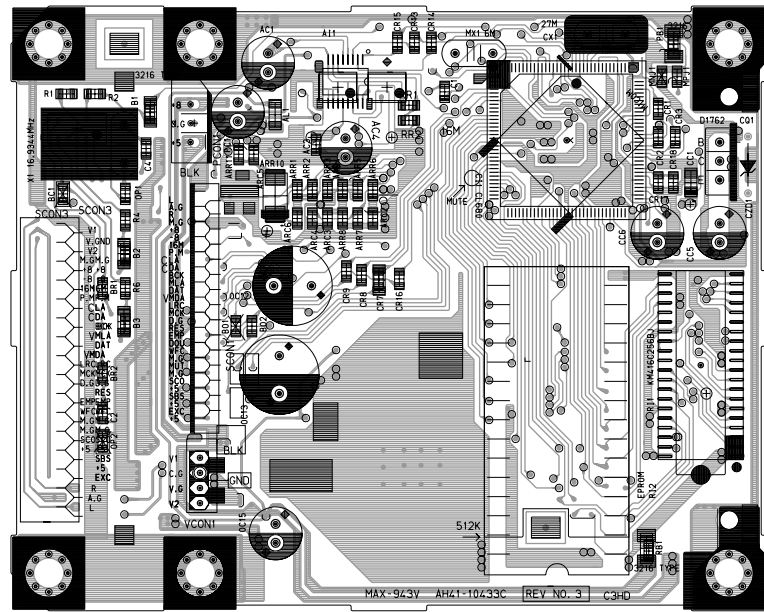
1

■ Tuner board

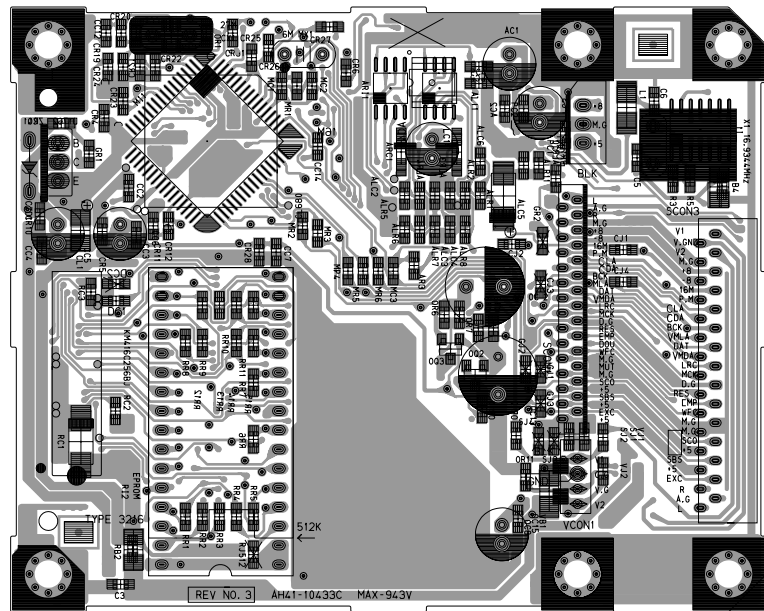


■ VCD board

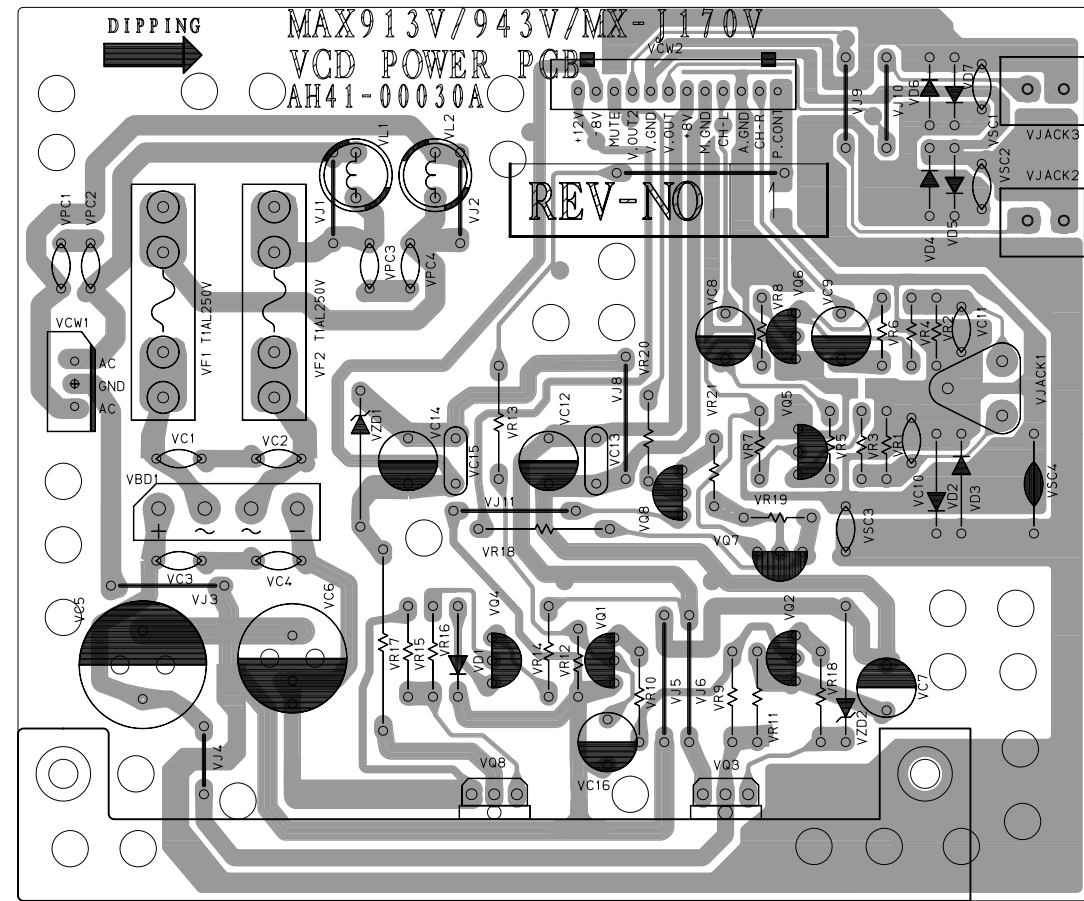
TOP View



BOTTOM View



■ VCD power board



5

4

3

2

1

A

B

C

2-12

D

E

F

G

H